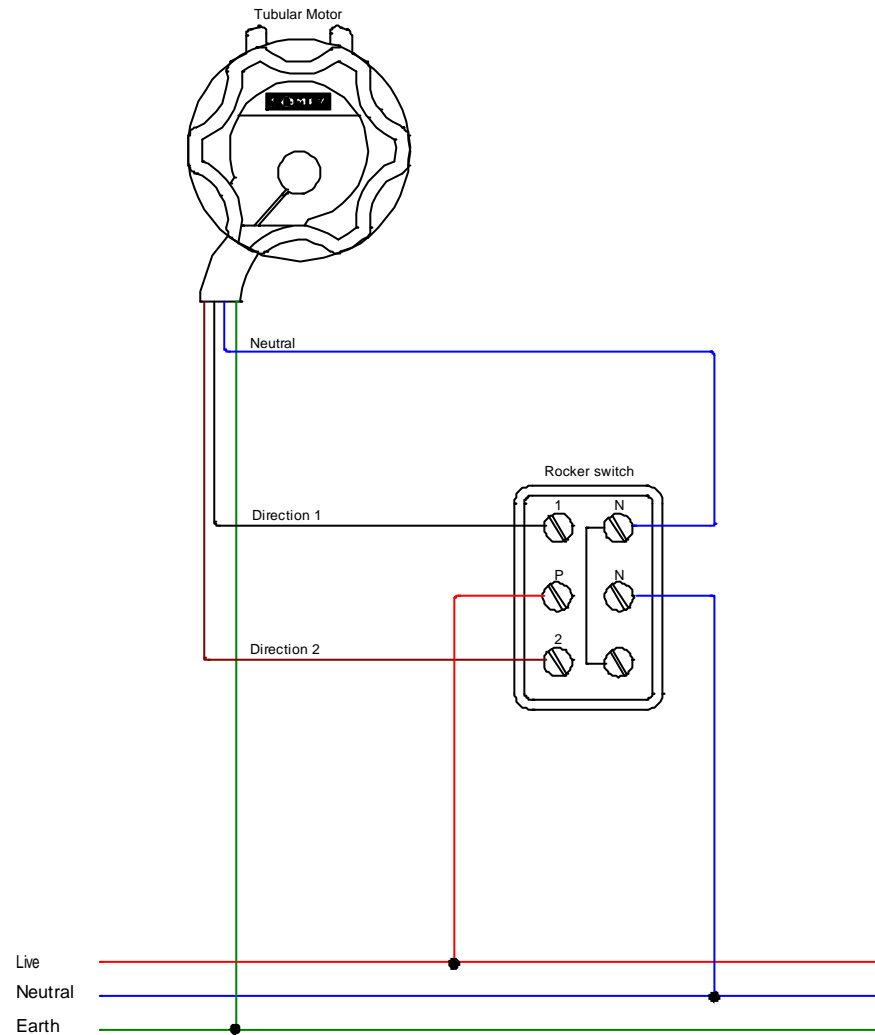


INDIVIDUAL CONTROL

Using a Rocker Switch

Reference: 137146 & 137152



Motor Cable Identification			
Direction 1	- Brown	Neutral	- Blue
Direction 2	- Black	Earth	- Yellow/green

Wiring Diagram No. S5004